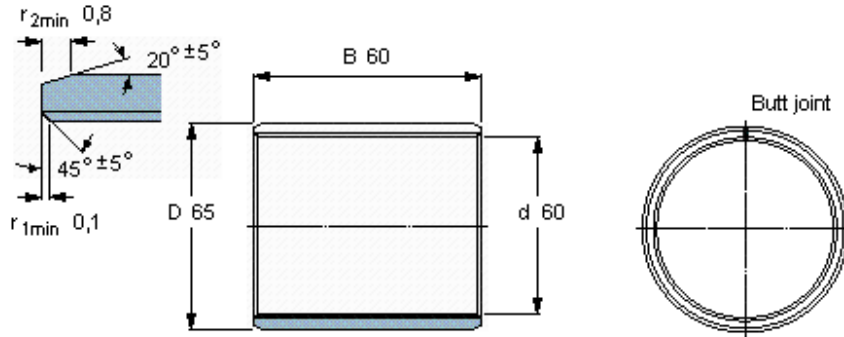


Composite dry sliding bushings, metric dimensions

Principal dimensions			Basic load ratings		Mass	Designation
d	D	B	dynamic C	static C0		
mm			kN		kg	-
<b>60</b>	65	60	285	880	0,22	PCM 606560 E



<b>Specific load factor</b>	K 80
<b>Material constant</b>	$K_M$ 480